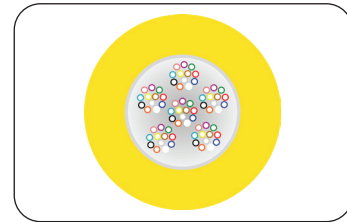
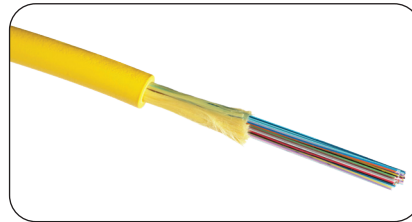
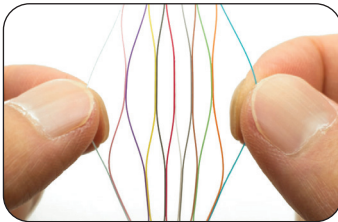




Collapsible Ribbon Trunk and Fanout Cables

Collapsible Ribbon Trunk & Fanout Assemblies by Cablcon are a state-of-the-art addition to our Cutting EDGE® Fiber Solutions portfolio. Collapsible ribbon cables are backbone-rated and offer best-in-class cable OD and bend performance. This allows you to maximize the fiber capacity in your cable tray while alleviating concerns associated with preferential bending in flat ribbon cables. The G.657.A2 fiber gives you enhanced bend performance while also yielding seamless backward compatibility to legacy G.652.D fiber plants. The collapsible ribbon structure also creates significant time savings in mass fusion splicing when compared to stranded Micro Breakout Cable solutions. Available from 24-144 fibers, Collapsible Ribbon Assemblies are available terminated with most any singlemode fiber connector, including the MTP® Pro, LC, SC, CS and MDC. Our breakout solutions include 3mm simplex for 12-fiber legs, 1.6mm simplex for 2-fiber legs and 1.2mm simplex for 1-fiber legs.



Three photos pictured above are courtesy of © OFS Fitel LLC

Collapsible Ribbon Trunk & Fanout Assemblies are American-made in each of our ISO 9001 and TL 9000-certified facilities. Our terminations meet or exceed the requirements stated in GR326 and GR-1435, as well as the IEC standard for end-face cleanliness. We specialize in quick-turn, custom length manufacturing.

APPLICATIONS

- Data Centers/Central Offices/Headends/C-RAN & iEN Hubs
- Interconnection between fiber management panels and equipment
- Connection to a fiber backbone or intra-building backbones

FEATURES

- Compact design and G.657.A2 fiber yield improved bend performance
- Smaller OD facilitates increased airflow improving heat dissipation
- Qualified industry leading components certified to meet GR-409, GR-326 & GR-1435
- MTP® Pro features elite ferrule, field reversibility and push/pull boot
- 2-fiber round simplex fanout solutions for Uniboot and Next Generation connectors
- Custom build configurations include leg length & staggered ends, custom labeling, pulling eye

DALLAS • DETROIT

Corporate Offices: 359 Robbins Drive • Troy, MI 48083
Phone: 888.8.CABLCON • Fax: 248.588.1462 • www.cablcon.com

TL9000

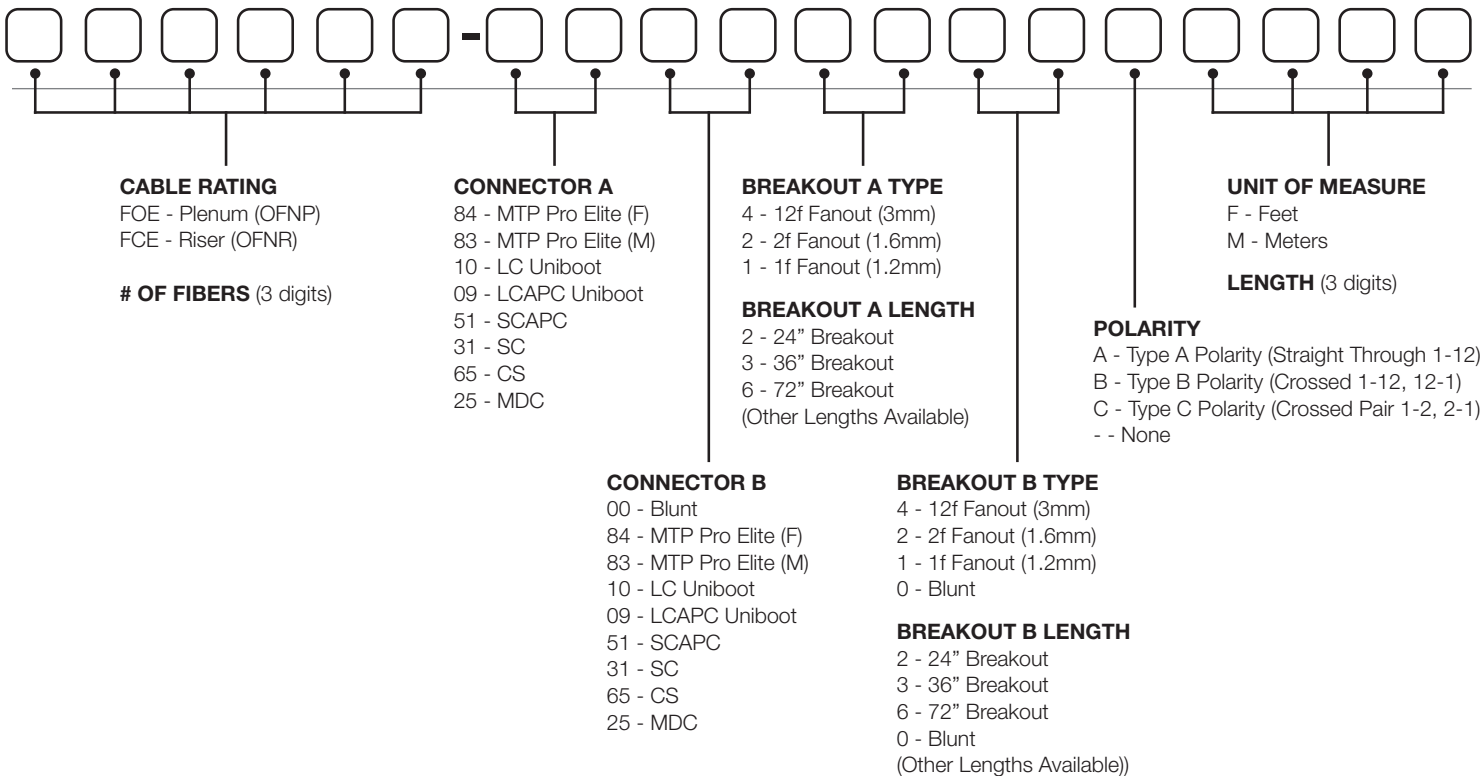
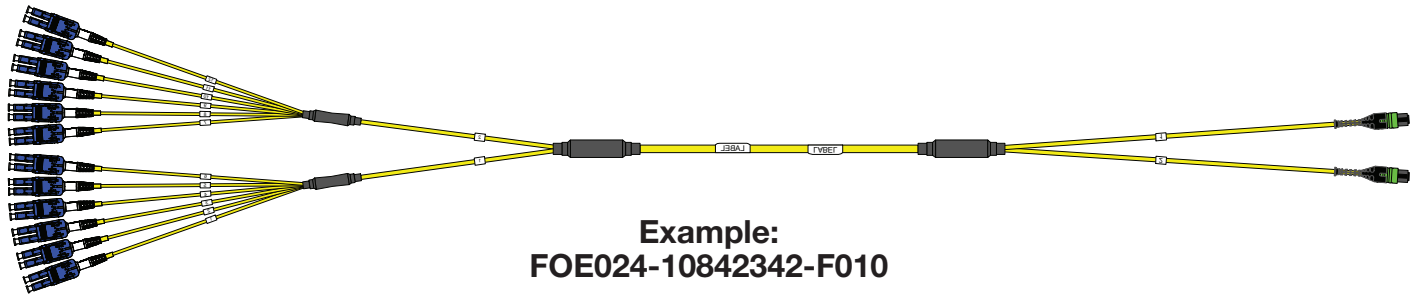


**Collapsible Ribbon
Trunk and Fanout Cables**

CONNECTOR	IL MAX (DB)	RL MAX (DB)
MTP PRO (Elite)	0.35	-60
SCUPC, LCUPC	0.25	-55
SCAPC, LCAPC	0.25	-65
CS	0.25	-55

FIBER COUNT	OD	TENSILE	BEND RADIUS	FIBERS/TRAY
24f	5.4 mm	150 lbs	1.70"	12,096
48f	5.8 mm	150 lbs	1.83"	19,968
72f	6.2 mm	150 lbs	1.95"	28,224
96f*	7.6 mm	150 lbs	2.39"	23,040
144f*	9.2 mm	150 lbs	2.90"	23,760

*denotes available in OFNR only



DALLAS • DETROIT

Corporate Offices: 359 Robbins Drive • Troy, MI 48083
Phone: 888.8.CABLCON • Fax: 248.588.1462 • www.cablcon.com

