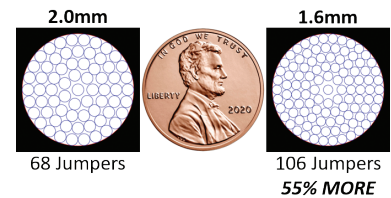
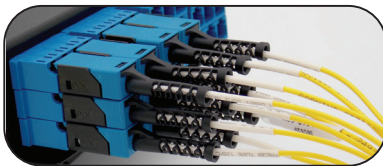
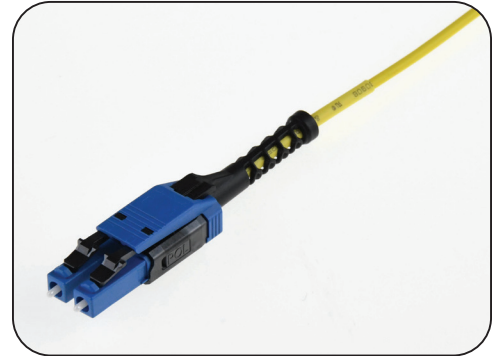




Field-Reversible Uniboot LC Jumpers

Solutions for greater connector density, enhanced functionality and reliability aren't only found in next generation connectors – they are available in the tried-and-true LC as well. CABLCON's Field-Reversible Uniboot LC Jumpers are density-enabling and allow you to reverse the polarity of the assembly in a few quick steps without exposing bare fibers. Our push-pull boot makes it easier to access jumpers in a patch panel and eliminates the need for pull tabs or tools.

Field-Reversible Uniboot LC Jumpers come standard with 1.6mm round cordage, though 2mm round cordage is also available. We offer these assemblies in both G.657.A2 singlemode and OM4 multimode.



Cablcon fiber optic assemblies are American-made in each of our ISO 9001 and TL 9000-certified facilities. Our products meet or exceed GR-326-CORE I4 as well as the IEC standard for end-face cleanliness. We specialize in quick-turn, custom length manufacturing.

APPLICATIONS

- Data Center/Central Offices/D-RAN / MEC iEN Hubs
- High-density cross-connects
- Fiber Optic Transceivers

FEATURES

- Field-reversible without exposing any bare fibers in the process
- Push-pull boot provides easy access to all connectors without pull tabs or tools
- 1.6mm riser-rated round cordage reduces patch panel congestion
- Available with OS2 singlemode (G.657.A2) and OM4 multimode fiber
- Cablcon assemblies meet or exceed GR-326; cable meets GR-409 Interconnect

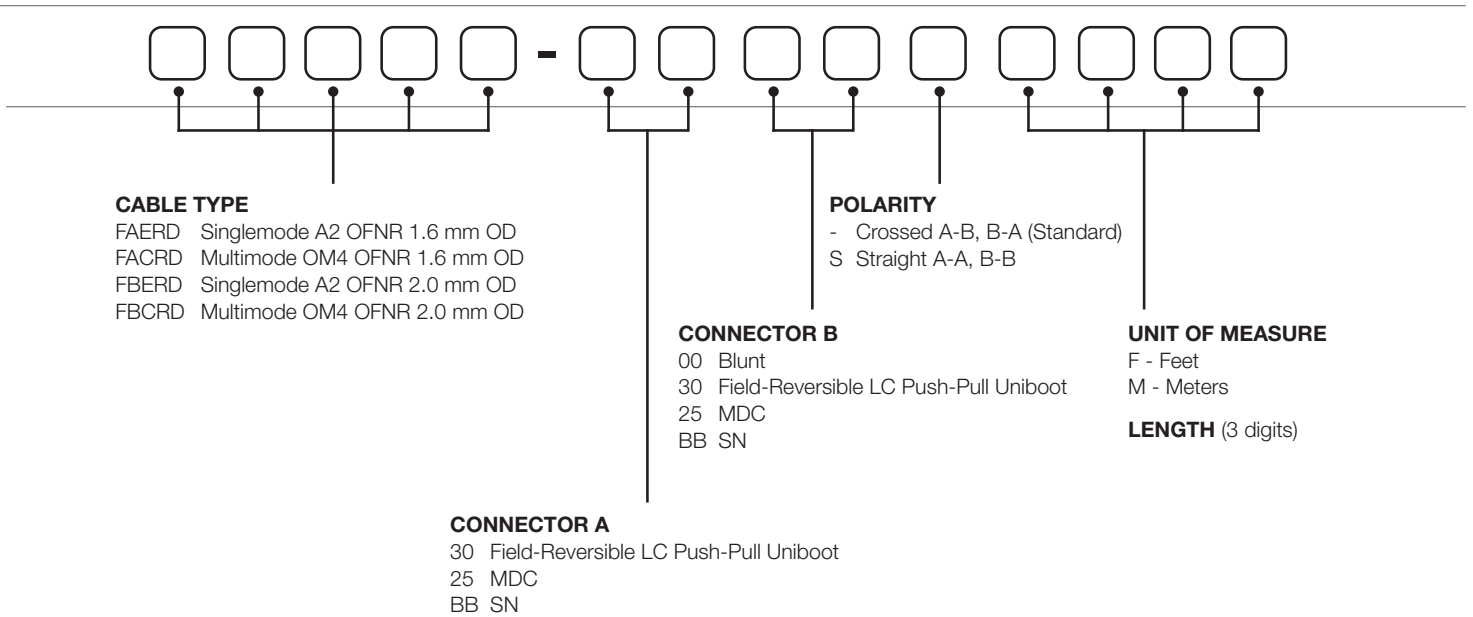
Field-Reversible Uniboot
LC Jumpers

CONNECTOR	IL MAX (DB)	RL MAX (DB)
SM LC	0.25	-55
MM LC	0.25	-30

CABLE STYLE	OD	TENSILE	BEND RADIUS
2 fiber Round SM	1.6 mm	22 lbf	0.39"
2 fiber Round MM	1.6 mm	22 lbf	0.39"
2 fiber Round SM	2.0 mm	22 lbf	0.79"
2 fiber Round MM	2.0 mm	22 lbf	0.79"



Example:
FAERD-3030



Note: Lowest number is used as Connector A. Letters are higher than numbers.