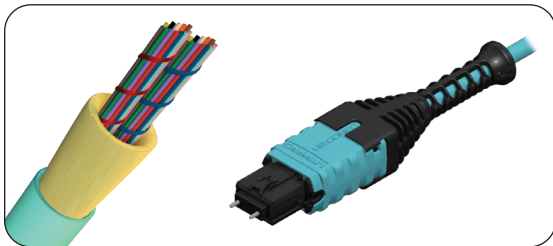
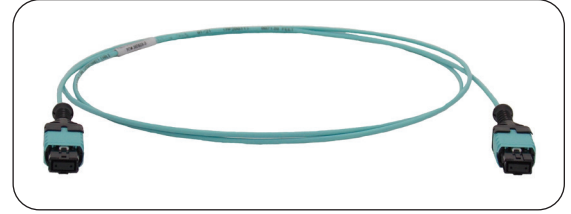




2.0mm & 3.0mm MTP® PRO Field-Reversible Cable Assemblies

MTP® PRO Field Reversible Cable Assemblies from Cablcon are designed to make polarity and gender mismatches a thing of the past. Among the many features of the MTP® PRO are a very simple method for polarity change and the ability to switch a connector from female to male, or vice-versa, in only seconds. A simple tool handles both functions capably, and it can be found in our Ordering Information.



A part of Cablcon's *Cutting EDGE™* Fiber Solutions portfolio, MTP® PRO Field-Reversible Cable Assemblies also feature Elite ferrules, which yield outstanding IL and RL performance. The push-pull boot makes unplugging the connector a breeze – even in tight spaces. Our assemblies are available in OM4 multimode and G.657.A2 singlemode, with your choice of 2mm or 3mm OD plenum-rated interconnect cable.

Cablcon fiber optic assemblies are American-made in each of our ISO 9001 and TL 9000-certified facilities. Our products meet or exceed GR-1435-CORE as well as the IEC standard for end-face cleanliness. We specialize in quick-turn, custom length manufacturing.

APPLICATIONS

- Data Center/Central Offices/C-RAN iEN Hubs
- High-density interconnects where space is at a premium
- Fiber Optic Transceivers
- MTP® PRO cables can be used in any MPO application

FEATURES

- Ability to reverse the gender or polarity of the connector in a couple seconds (tool required)
- Push-pull boot improves connector access in the field
- Elite ferrule comes standard and provides outstanding IL and RL performance
- Available with OS2 singlemode (G.657.A2) and OM4 multimode fiber
- Cablcon assemblies meet or exceed GR-1435; cable meets GR-409 Interconnect

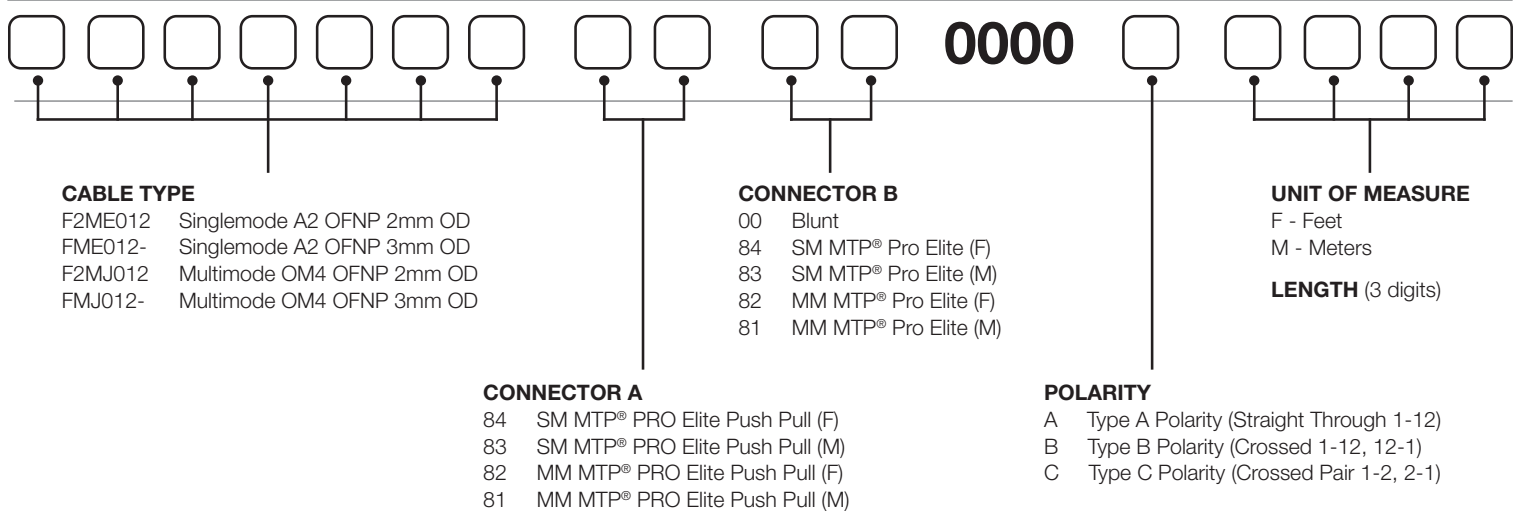
2.0mm & 3.0mm MTP® PRO Field-Reversible Cable Assemblies

CONNECTOR	IL MAX (DB)	RL MAX (DB)
SM MTP® PRO (Elite)	0.35	-60
MM MTP® PRO (Elite)	0.35	-30

FIBER COUNT	OD	TENSILE	BEND RADIUS
12f	2.0mm	50 lbf	0.79"
12f	3.0mm	50 lbf	1.18"
24f	3.0mm	150 lbf	1.18"



Example:
F2MJ0128282000BF010



ADDITIONAL ITEMS

- DU 18814 MTP® PRO Polarity & Pin Change Tool
- 18-92000Y00-091 MTP® PRO Elite Pin Exchanger